

Modular Design Maintainability

- The TVMs adopts an integrated and friendly man-machine interaction interface to make ticket purchasing more simple and convenient
- The TVMs have modular design and guide-rail installation, which are convenient for equipment maintenance and ticket roll replacement
- The cash module of the TVMs is equipped with electronic ID verification, and password lock design to ensure the property security.

Advanced Manufactural Capability International Standards

- International standards; superior quality;
- Short delivery cycle & low maintenance cost.
- Independently developed based on passengers traffic features and practical operating conditions to comply with operational requirements in different geographical areas and different industries.



Core Intellectual Property Ownership End-to-End R&D Technology

- Full life cycle R&D processes
- Adequate manufacturing capacity and spare parts supply

TVM-C01



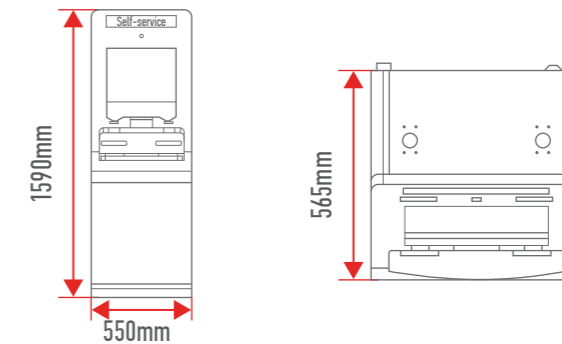
Features

TVM-C01 cash-less TVM that supports Apple Pay, Wechat, Alipay, QR code payment. The machine adopts full steel structure frame and uses blue and white colors. It is designed based on the combination of different authentication methods and information technologies. It integrates the bank card module, bar-code scanner, ID card reader, monitoring module, and ticket printer to satisfy clients' multiple requirements.

Vanues



Dimensions



Reference Cases



TVM-C02



Features

TVM-C02 is a cash-less TVM developed by Joydata. It has multiple functions. Users can check the ticketing information by ID card, mobile phone QR code, SMS identification code. Passengers can also buy tickets using bank cards/credit cards.

Vanues



Tourism

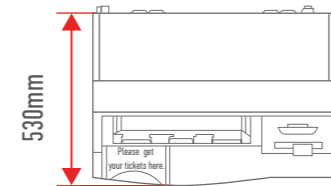
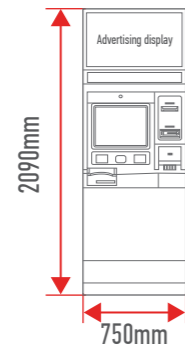


Wharf



Stadium

Dimensions



Reference Cases



TVM-F02



Features

TVM-F02 is a TVM/top-up machine specially designed for the bus rapid transit (BRT) market. It integrates multiple functions, including coin change, bar code scanner, IC card reader, monitoring module, which proves to be the optimal choice of satisfying client requirements for self-service ticketing. The equipment contains hardware, software, which can provide a general solution for client requirements for Automatic Fare Collection (AFC).

Vanues



Coach

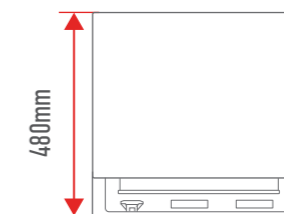
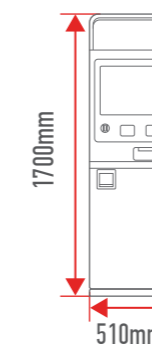


BRT



Metro

Dimensions



Functions

- Coin change
- Ticket collecting by 1D/QR Code identification
- Consecutive ticket printing
- Video, voice, and sound & light prompts
- 2 mm cold-roll alloy steel plates with plastics sprayed on the surface, streamlined design and compact appearance
- 19-inch infrared anti-explosive touch screen, sensitive operation, safe and reliable
- Multiple fans ensure normal equipment operation under high temperatures.

Reference Cases



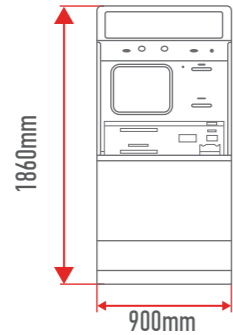
TVM-F03



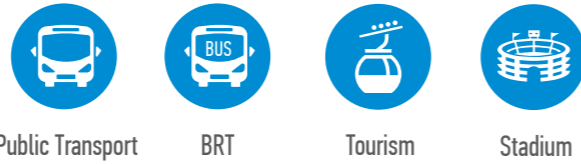
Features

TVM-F03 is a comprehensive TVM developed by Joydata. It supports various functions, including cash collecting module, note change, coin change, bank card payment module, bar code scanner, 2nd-generation ID card reader, monitoring module, and ticket printer, which proves to be the optimal choice of satisfying client requirements for self-service ticketing.

Dimensions



Vanues



Public Transport

BRT

Tourism

Stadium

Functions

- Internet access and information query
- Ticket buying by note and bank card payment
- Ticket collecting by 1D/QR Code identification
- Ticket collecting function by 2nd-generation ID card identification
- Stack cash and coin change
- Consecutive ticket printing and voucher printing
- Video, voice, and sound & light prompts

Reference Cases



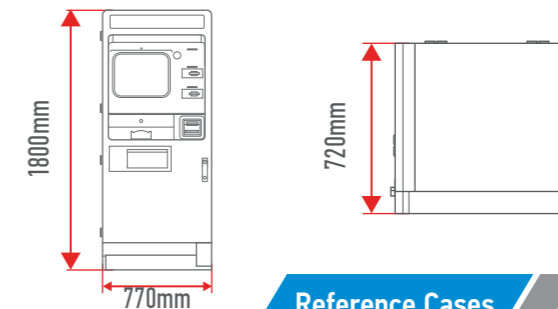
TVM-F04



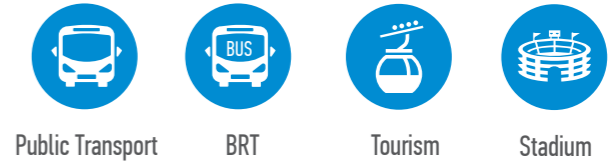
Features

TVM-F04 is a cash-less TVM. It integrates multiple functions, including cash collecting module, coin module, Token ticket module, bank card module, monitoring module, ticket printer, and voucher printer, which proves to be the optimal choice of satisfying client requirements for self-service ticketing.

Dimensions



Vanues



Public Transport

BRT

Tourism

Stadium

Functions

- Ticket buying by note, coin, and bank card payment
- Token single-journey ticket selling
- QR code single-journey selling
- Coin change
- Consecutive ticket printing and voucher printing
- Video, voice, and sound & light prompts
- 2 mm cold-roll alloy steel plates with plastics sprayed on the surface, streamlined design, and compact appearance

Reference Cases



TVM-N04



Features

TVM-N04 is a convenient desktop TVM. Users can print tickets that are booked online by IC card, mobile phone QR code and so on onsite. It supports WIFI connection to the local area network (LAN) and can be moved flexibly with a small size for mobile ticket collecting, and provides an all-around software and hardware support, which presents a light and simple ticket collecting solution for clients.

Values



Office

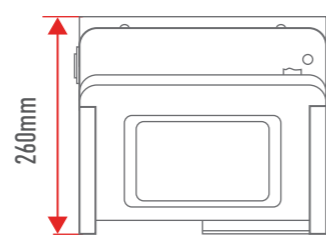
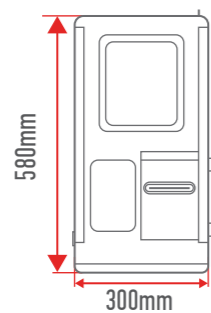


Wharf



Public Transport

Dimensions



Functions

- Ticketing collecting by IC card identification
- Ticket collecting by 1D/QR Code identification
- Support SIM card connection to 4G network or WIFI connection to LAN to realize mobile ticket collecting.
- Sound & light prompts
- 2 mm cold-roll alloy steel plates with plastics sprayed on the surface, streamlined design and compact appearance
- 10.4-inch capacitive touch screen, sensitive operation, safe and reliable
- Side maintenance mode, convenient for ticket roll replacement and maintenance

Reference Cases



Product Model	TVM-C01	TVM-C02	TVM-F02	TVM-F03	TVM-F04	TVM-N04
Standard Product	Yes					
Product Diagram						
Structure	Cold-roll Steel Plate					
Standard Passageway (L x W x H)	1590×550×565mm	2090×750×530mm	1700×510×480mm	1860×900×920mm	1800×770×720mm	580×300×260mm
Material of Equipment	Cold-roll Steel Plate					
Surface Treatment	Plastic-spraying treatment with colors optional					
Ticket Buying and Collecting						
Ticket Buying by Cash	-	-	-	Yes	Yes	-
Ticket Buying by Coin	-	-	Yes	Yes	Yes	-
Cash Change	-	-	-	Yes	-	-
Coin Change	-	-	-	Yes	Yes	-
Ticket Buying by Bank Card/Quick	Yes	Yes	-	Yes	Yes	-
Ticket Buying by Third-Party	Yes	Yes	Yes	Yes	Yes	Yes
Ticket Collecting by QR Code	Yes	Yes	Yes	Yes	-	Yes
Ticket collecting by 2nd-generation ID Card	Yes	Yes	-	Yes	-	Yes
Ticket Collecting by Entering a Ticket Collecting Code	Yes	Yes	Yes	Yes	Yes	Yes
Topping Up by a Value Card	-	-	Yes	-	Yes	-
Voucher Printing	Yes	Yes	Yes	Yes	Yes	Yes
Display Functions						
Touch Screen	19-inch infrared touch screen					10.4-inch capacitive touch screen
Advertising Display	-	32-inch high-definition LCD	-	-	-	-
Strip Screen	LED dot-matrix display screen					
Safety Function						
Facial Video Monitoring	Yes					-
Ticket Collecting Port Video	Yes					-
Voice Function	Yes					-
UPS Power Supply	Yes					-
Interface						
Open Interfaces	USB, serial port, and TCP/IP					
System Connection	Connect to the ticketing systems of tourism scenic spots, stadiums, BRT, customs houses, and metro stations					
Main Technical Parameters						
Control Host	Industrial-grade computer					
Operating Power Supply	110-230VAC; 50/60Hz					
Static Power	200W	200W	200W	200W	200W	80W
Maximum Power	300W	300W	300W	300W	300W	105W
MCBF (mean cycles between failure)	5 million times					
Installation						
Floor Installation Finished	Yes					Desktop Layout and Installation
Platform Installation	Yes					
Indoors	Yes					Applicable
Maintenance Mode						
Front/rear/side Maintenance	Front and rear maintenance	Rear maintenance	Rear maintenance	Rear maintenance	Front Maintenance	Side maintenance