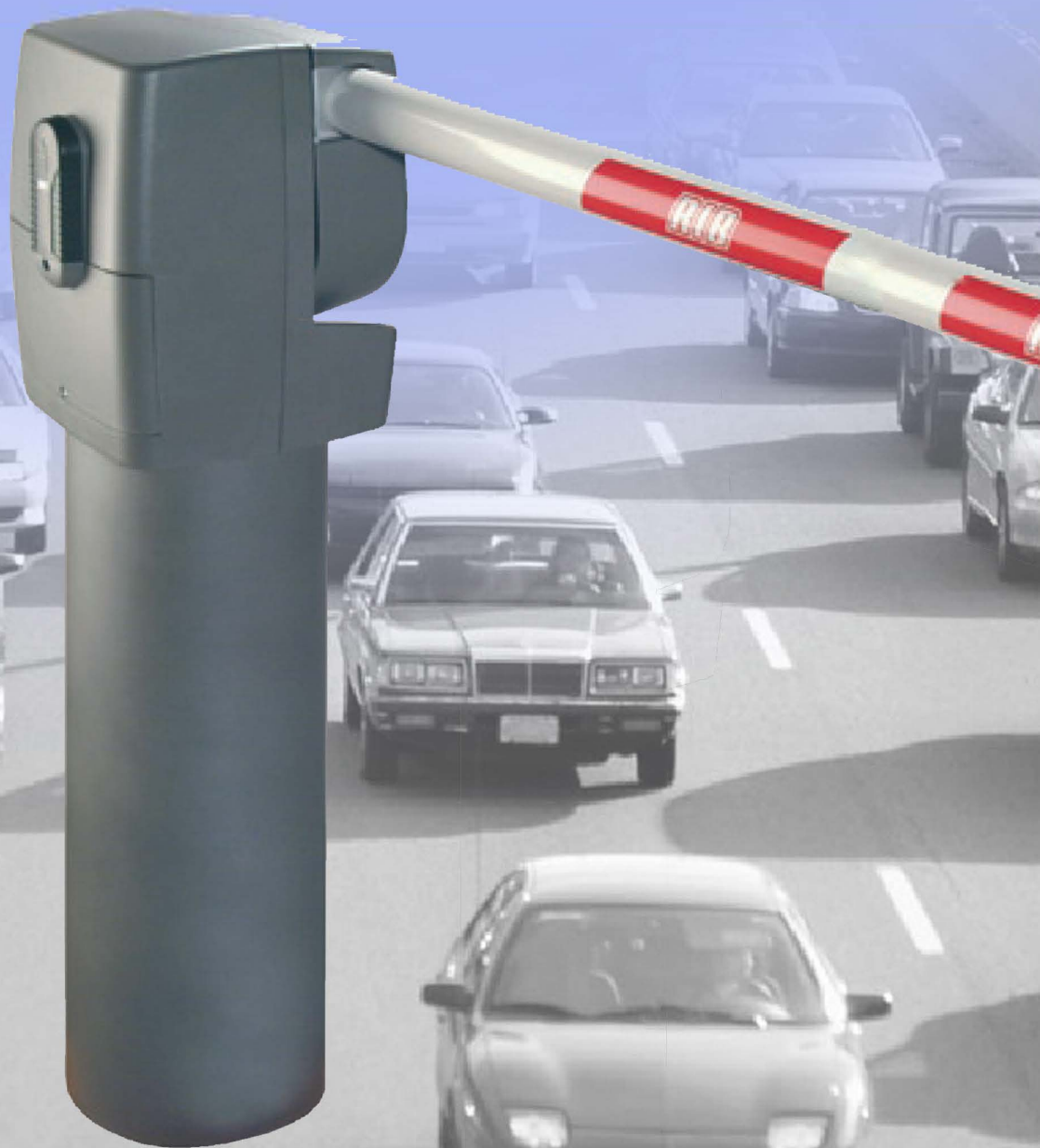


President Barrier



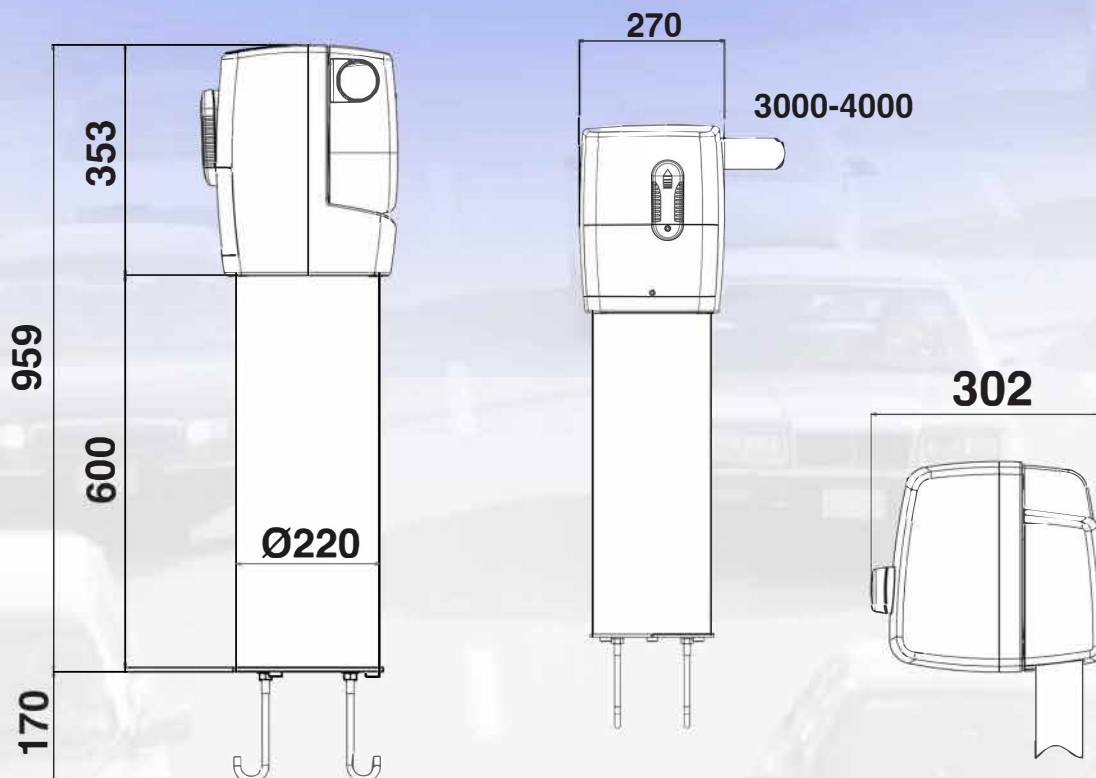
Toshi Automatic traffic & highways barriers provide practical and cost effective traffic management solutions. Auto barriers are reliable require little maintenance and can interface with any access control systems.

Technical Specifications :

| | | |
|-----------------------------|-------------|-------------|
| Max. Boom Length (M) | 3 | 4 |
| Max. Torque (NM) | 100 | 130 |
| Opening Time (Sec) | 3 | 3.5 |
| Power Supply (V) | 230V AC | |
| Motor Capacity (W) | 74 | |
| Power absorbed (A) | 0.32 | |
| Weight of Operator (KG) | 40 | 40 |
| Protection Grade (IP) | 44 | 44 |
| Daily Cycles Suggested (n°) | 600 | 600 |
| Service (%) | 100 | 100 |
| Operating Temp (°C) | -10 to +55 | -10 to +55 |
| RS-485 | Inbuilt | Inbuilt |
| MTBF | 0.5 Million | 0.5 Million |



Control Board (BC07061
PARK 24V)



Sold in more than 100 countries ISO 9001-2000 & certified Product approved by renowned architects, consultants More than 15000 satisfied customers All over india network

Toshi Automatic Systems Pvt. Ltd.

Regd. Office: M-2 Samrat Bhawan, Ranjit Nagar Commercial Complex
(Behind Satyam Cinema), New Delhi - 110008

Head Office : D-132, Bulandshahr Road Industrial Area, Ghaziabad - 201009,
Mobile : +91 - 9711186186

Email: info@toshiautomatic.com Web: www.toshiautomatic.com

Technical Specifications are subject to change without notice

Dealer in your region